

GEN₂MINI Nitrogen Gas Generators

Features

- Ultra compact design and wide range of flow rates, make it the perfect generator for a variety of lower flow nitrogen applications.
- Significant cost savings over cylinder or liquid supply provides a typical return on investment of less than 24 months.
- Uses pressure swing adsorption to produce a continuous, uninterrupted supply of 95 to 99.999% purity nitrogen gas from clean, dry compressed air.
- 100% functional tested with 2 year warranty.
- Eliminates safety concerns associated with transporting and storing pressurized gas cylinders or liquid nitrogen.
- Reduces carbon footprint by eliminating gas delivery with positive impacts on sustainability targets.
- **eco-mode** energy savings control reduces energy consumption during periods of low demand.
- Optional integrated O₂ analyzer and dew point sensors (N₂ or inlet air).

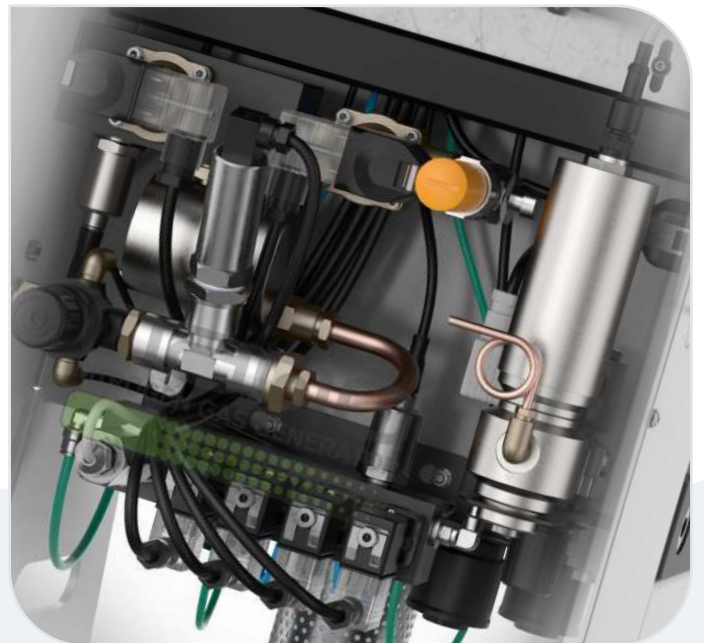


PLC Controlled Operation



Operated by a reliable PLC or advanced HMI interface. (optional HMI controller shown)

Easy to Maintain



Robust piston valves significantly reduce maintenance schedules and minimize downtime.

nano N₂: Low Flow Nitrogen Gas Generators

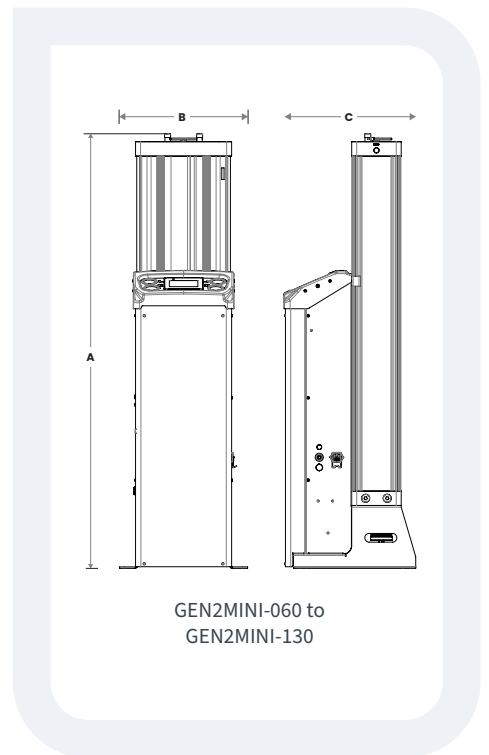
MODEL	RATED OUTLET FLOW ⁽¹⁾	NITROGEN PURITY AT THE OUTLET (MAXIMUM OXYGEN CONTENT)										DIMENSIONS (INCHES)			APPROX. WEIGHT
		99.999% (10 PPM)	99.995% (50 PPM)	99.99% (100 PPM)	99.95% (500 PPM)	99.9% (0.10%)	99.5% (0.50%)	99% (1%)	98% (2%)	97% (3%)	95% (5%)	A	B	C	LBS
GEN2MINI-060	scfh	-	-	-	21	28	60	74	99	120	152	29	17	18	119
GEN2MINI-080	scfh	-	28	35	46	60	99	131	166	194	244	36	17	18	139
GEN2MINI-100	scfh	18	46	53	78	88	148	187	240	276	339	43	17	18	168
GEN2MINI-110	scfh	28	49	60	95	113	184	226	276	311	392	49	17	18	183
GEN2MINI-120	scfh	57	78	88	131	152	219	283	357	413	505	59	17	18	212
GEN2MINI-130	scfh	64	106	120	166	194	279	350	431	498	664	73	17	18	249

SPECIFICATIONS	STANDARD
Recommended inlet air quality (ISO class)	2.2.1
Minimum inlet air quality (ISO class)	2.4.1
Minimum operating pressure (psig)	87
Maximum operating pressure (psig)	145
Recommended operating temperature range (°F)	68 to 77
Minimum/maximum operating temperature range (°F)	41 to 122
Supply voltage	100 - 240V AC
Fuse rating	3A 'T'
Frequency (Hz)	50 - 60
Maximum power consumption (W)	72
IP rating	IP53 (NEMA 2)

PRESSURE CORRECTION FACTORS ⁽²⁾					
Inlet pressure (psig)	87.0	101.5	116.0	130.5	145.0
Correction factory	0.88	1.00	1.10	1.20	1.30

TEMPERATURE CORRECTION FACTORS ⁽²⁾										
Inlet temperature (°F)	41	50	59	68	77	86	95	104	113	122
Correction factor	0.80	0.90	0.94	1.00	1.00	0.98	0.95	0.90	0.85	0.72

- (1) At 101.5 psig and 77°F inlet conditions. Contact nano for flow, pressure and purity outside listed range.
 (2) To be used as rough guide only. All applications should be confirmed by nano. Contact support@nano-purification.com.



Technical specifications subject to change without notice.
 Publication Reference: GEN2MINI-US-EN-Version-000
 ©2024 Air & Gas Solutions LLC

nano
 Experience. Customer. Service.

nano-purification solutions
 www.nano-purification.com

United States
 Charlotte, North Carolina
 Phone: +1 704 897 2182
 Email: support@nano-purification.com

United States | Canada | United Kingdom | Germany | Singapore